

HID TripTick™ 200

OEM Barcode Reader



ONE READER FOR ANY TICKET

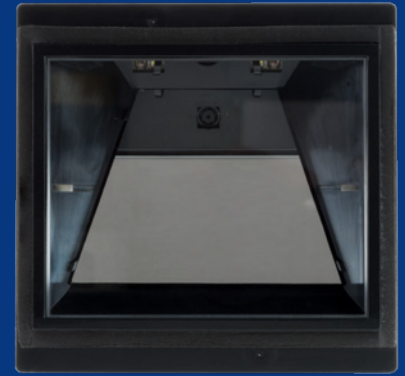
The state-of-the-art TripTick 200 reader is designed to read 1D/2D barcodes including QR codes from mobile phones, tablets, wearables and paper in any orientation. It offers operators the ultimate no-nonsense installation. Its small footprint, low profile slot-in design enables easy integration into kiosks, ticket machines, turnstiles and access gates.

PROVEN HERITAGE

TripTick 200 retains the key aspects of the size and shape of our proven LSR116, however its design delivers a significantly increased active scan area to further improve barcode reading performance. TripTick's optimized imaging ensures read reliability and high-speed performance capturing and decoding all popular linear, PDF417 and 2D symbologies.

APPLICATIONS

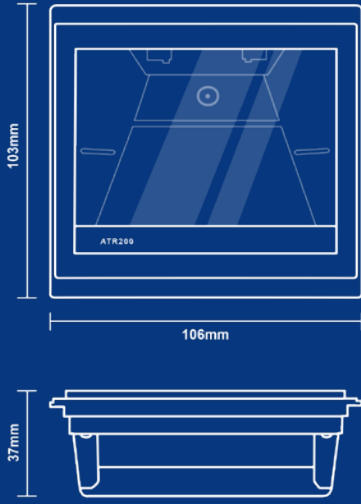
- **Travel and Transportation:** Self-service kiosks, E-gates, Ticket vending machines, Automatic barriers
- **Sports & Events:** Access control gates, Turnstiles
- **Enterprise:** Building access
- **Hospitality:** Casino and TITO gaming machines
- **Retail:** Voucher redemption and loyalty cards



FEATURES:


- **Barcode Reading** - Reads 2D, PDF417 and linear symbologies
- **Low Profile** - Only 37 mm deep
- **IP67 Sealed** - Front face sealed for integration into indoor/outdoor kiosks, podiums and gates
- **Reads Any Media** - Optimized focal distance design improves read performance for all media
- **Simple Installation** - Single cable connection to host computer
- **Connection Options** - USB (HID, serial or keyboard), RS232, Ethernet (optional)
- **UltraGlass®** - Uprated glass for extreme environments

HID TripTick™ 200



FEATURES

Connection Types

-  USB
-  RS232
-  Ethernet

Technology

-  QR/Barcode

HID TripTick™ 200

READING CAPABILITIES	
Barcode Symbologies Read	Linear: EAN, UPC, Code 2 of 5, Interleaved 2 of 5, IATA 2 of 5, Code 39, Code 128 2D: PDF417, Aztec, DataMatrix and QR codes Media types read: Smartphone/tablet/smartwatch displays & paper tickets
ELECTRONIC	
Power Supply	USB: Via USB Serial 232: Via ext. 5V PSU
Interface	USB composite device, with: HID, CDC Serial or Keyboard interface for barcode reading Serial device (RS232) Ethernet (optional)
PHYSICAL	
Dimensions	4.17 x 4.05 x 1.45 in (106 x 103 x 37mm) (Main unit)
Weight	8 oz. (250g) (Without SAM option)
Body	Black PC/ABS
Glass	4mm Toughened White Soda Lime; BS EN60068-2-75 & IEC 62262:2002, rated to 3.5J impact
MTBF	250,000 hours
THERMAL (AIR)	
Temperature	Operating -4°F to 140°F (-20°C to 60°C)
Storage	-22°F to 176°F (-30°C to 80°C)
Humidity	95% RH, non-condensing
APPROVALS	
EMC Approvals: FCC 47CFR Part 15 Subpart B Class A, EN 55032 Class B, EN 55035 Safety: IEC 62471: 2006, IEC 62368-1 Ingress: IP54 certified to BS EN 60529 Front Face ONLY - Tested to IPx7	



hidglobal.com

North America: +1 512 776 9000 | Toll Free: 1 800 237 7769

Europe, Middle East, Africa: +44 1440 714 850

Asia Pacific: +852 3160 9800 | Latin America: +52 (55) 9171-1108

For more global phone numbers click here

© 2025 HID Global Corporation/ASSA ABLOY AB. All rights reserved.

2025-01-13-bio-triptick-200-reader-ds-en

PLT-06271

Part of ASSA ABLOY